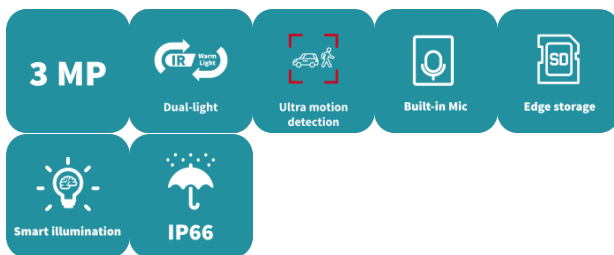


3MP Outdoor 4G PT Camera

Uho-P1G-M3F4D-EU



Features

- High quality image with 3MP, 1/3.0 " CMOS sensor
- 2304*1296@25fps in the main stream
- Support 4G access to the network
- Ultra 265, H.265, H.264
- Support digital WDR (Wide Dynamic Range)
- Built-in Mic & Speaker, support two-way audio, offer better interaction
- Support sound and light warning, makes warning and alarming more noticeable
- Smart IR, up to 30 m (98 ft) IR and 30 m (98 ft) warm light distance, suitable for more scenes
- Supports 512 GB Micro SD card
- IP66 ingress protection

Specifications

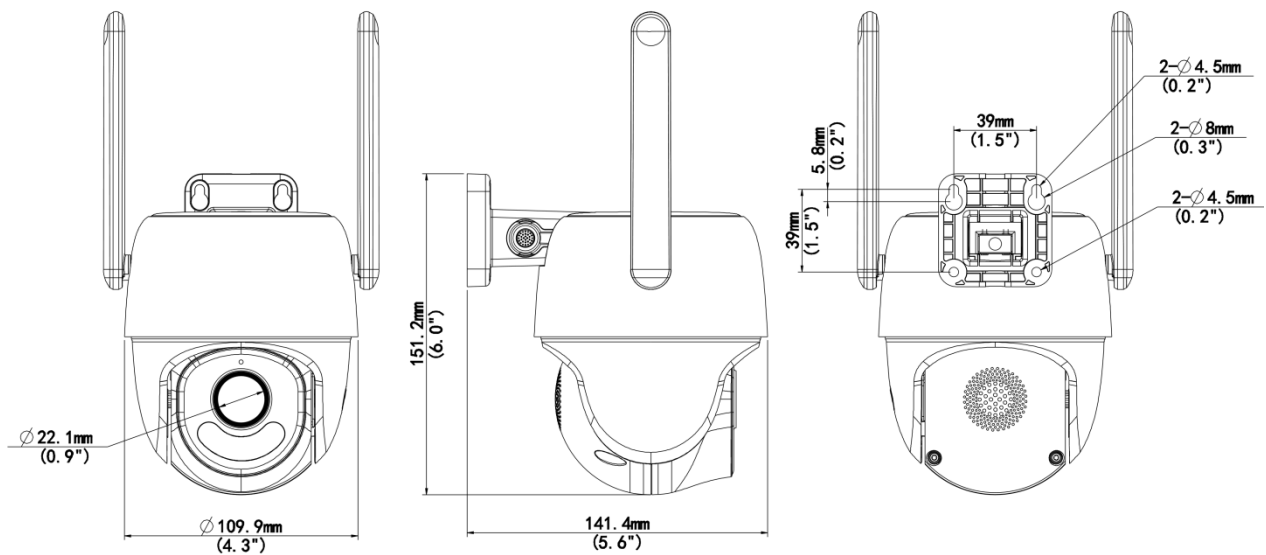
Model	Uho-P1G-M3F4D-EU
Camera	
Max Resolution	3 MP
Sensor	1/3.0" CMOS

Min. Illumination	Colour: 0.003Lux (F1.6, AGC ON) 0 Lux with IR on
Day/Night	IR-cut filter with auto switch (ICR)
Shutter	Auto/Manual, 1 to 1/100000 s
S/N	> 52 dB
WDR	DWDR
Lens	
Digital Zoom	4X
Focal Length	4.0 mm
Iris Type	Fixed
Iris	F1.6
Field of View (H)	75.0°
Field of View (V)	40.0°
Lens Type	Fixed
DORI	
DORI Distance (Lens)	4.0mm
DORI Distance (Detect)	66.7 (218.7 ft)
DORI Distance (Observe)	26.7 (87.5 ft)
DORI Distance (Recognize)	13.3 (43.7 ft)
DORI Distance (Identify)	6.7 (21.9 ft)
Illuminator	
Supplemental Light	Dual light
Illumination Distance (IR)	30 m (98.4 ft.)
Illumination Distance (Warm Light)	30 m (98.4 ft.)
Wavelength	850 nm
IR On/Off Control	Auto/Manual
Video	
Video Compression	Ultra 265, H.265, H.264
Frame Rate	Main Stream: 3MP (2304*1296), Max 25fps; 2MP (1920*1080), Max 30fps; 720P (1280*720), Max 30fps; Sub Stream: 640*360, Max 30fps; 2CIF (704*288), Max 30fps; CIF (352*288), Max 30fps;
Video Bit Rate	128 Kbps to 2048 Kbps
U-code	Support
OSD	Up to 2 OSDs
Privacy Mask	Support (only NVR)
ROI	Support
Video Stream	Dual streams
Image	
White Balance	Auto, Outdoor, Fine tune, Sodium lamp, Locked, Auto2
Digital Noise Reduction	2D/3D DNR
Smart IR	Support
Flip	Normal, Flip vertical, Flip horizontal, 180°

Dewarping	N/A
HLC	N/A
BLC	Support
Defog	Digital defog
Events	
Basic Detection	Motion detection, Ultra motion detection (based on human body and vehicle detection), High-Decibel detection
General Function	IP address filtering, Access policy, ARP protection, RTSP authentication, User authentication, HTTP authentication
Intelligent	
Auto Tracking	Support
Audio	
Audio Compression	G.711U, G.711A
Audio Bitrate	64 Kbps
Two-way Audio	Support
Suppression	Support
Sampling Rate	8 kHz
Storage	
Edge Storage	MicroSD, up to 512 GB
Network Storage	ANR
Network	
4G Network Frequency	LTE-FDD: B1/B3/B5/B7/B8/B20/B28 LTE-TDD: B38/B40/B41
4G Network Standard	LTE-FDD, LTE-TDD
4G Card Type	Nano-SIM
Protocols	IPv4, TCP, UDP, DHCP, RTSP, DNS, DDNS, NTP, HTTP, ICMP, ARP, UPnP, RTP, RTCP
Compatible Integration	API, SDK
Client	Uniarch client, Uniarch app
Web Browser	Plug-in required live view: IE 10+, Chrome 45+, Firefox 52+, Edge 79+
PTZ	
Pan Range	0° ~ 345°
Pan Speed	1°/s ~ 40°/s Preset speed: 40°/s
Tilt Range	0° ~ 90°
Tilt Speed	1°/s ~ 30°/s Preset speed: 30°/s
Number of Presets	20
Interface	
Audio I/O	N/A
Alarm I/O	N/A
Built-in Mic	Support
Built-in Speaker	Support
WIFI	N/A

Network	1 × RJ45 10 M/100 M Base-TX Ethernet
Certification	
EMC	CE-EMC (EN 55032, EN 61000-3-3, EN IEC 61000-3-2, EN 50130) FCC (FCC 47 CFR part15 B)
Safety	CE LVD (EN 62368-1)
Environment	CE-RoHS (2011/65/EU;(EU)2015/863); WEEE (2012/19/EU);
Protection	IP66 (IEC 60529)
General	
Power Consumption	8.0 W
Power	DC 12V±25%
Power Interface	Ø5.5 mm coaxial power plug
Dimensions	Φ110mm*141mm*151mm (Φ4.3"x 5.6"x 6.0")
Weight	0.39kg (0.85lb)
Working Environment	-30 °C to 60 °C (-22 °F to 140 °F), Humidity: ≤ 95% RH (non-condensing)
Storage Environment	-30 °C to 60 °C (-22 °F to 140 °F), Humidity: ≤ 95% RH (non-condensing)
Surge Protection	4 KV
Reset Button	Support
LED Indicator	1, red/blue

Dimensions



Zhejiang Uniview Technologies Co., Ltd.



<http://www.uniview.com>



overseasbusiness@uniview.com; globalsupport@uniview.com



No. 369, Xietong Road, Xixing Sub-district, Binjiang District, Hangzhou City, 310051, Zhejiang Province, China



©2023-2025 Zhejiang Uniview Technologies Co., Ltd. All rights reserved.

*Product specifications and availability are subject to change without notice.

*Despite our best efforts, technical or typographical errors may exist in this document.

Uniview cannot be held responsible for any such errors and reserves the right to change the contents of this document without prior notice.